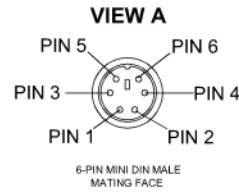
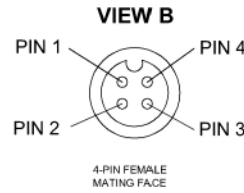


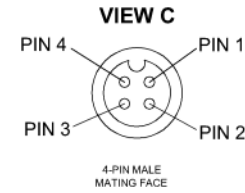
RevNo	Revision note	Date	Signature	Checked
1	CONNECTORS CHANGED.	11/05/11	D.K	B.C



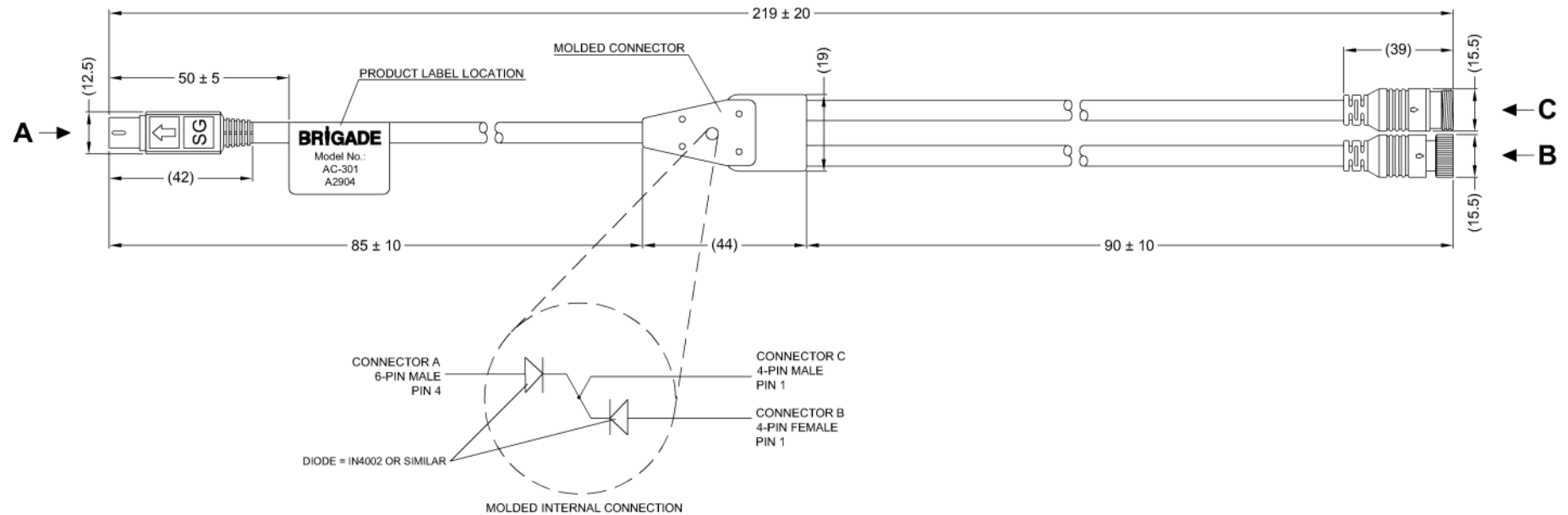
PIN #	WIRE COLOUR	DESCRIPTION
1	BLACK	GROUND
2	BLACK	GROUND
3	YELLOW	VIDEO
4	RED	12 VDC
5	SHIELD	GROUND
6	WHITE	AUDIO



PIN #	WIRE COLOUR	DESCRIPTION
1	RED	12 VDC
2	BLACK/SH	GROUND
3	WHITE	AUDIO
4	YELLOW	VIDEO



PIN #	WIRE COLOUR	DESCRIPTION
1	RED	12 VDC
2	BLACK/SH	GROUND
3	WHITE	AUDIO
4	YELLOW	VIDEO



**NOTES:**

1. DIMENSIONS IN MM
2. WIRE COLOURS ARE SUBJECT TO CHANGE WITHOUT NOTICE.
3. FOR PRODUCT LABEL SEE DRAWING NUMBER: BE-001500-01-11.
4. INTERNAL WIRES SHOULD BE ONE CONTINUOUS LENGTH FROM CONNECTOR TO BLOCK.

**PROPRIETARY NOTICE**

THIS DESIGN AND TECHNICAL INFORMATION APPEARING ON THIS DRAWING IS THE PROPERTY OF BRIGADE ELECTRONICS PLC, AND IS DISCLOSED IN CONFIDENCE. IT IS NOT TO BE COPIED, REPRODUCED, REVEALED TO OR APPROPRIATE BY OTHERS, EITHER IN WHOLE OR IN PART WITHOUT THE EXPRESS WRITTEN CONSENT OF BRIGADE ELECTRONICS PLC.

Itemref	Quantity	Title/Name, designation, material, dimension etc	Article No./Reference		
Designed by M.BUTLER	Checked by G.ALEXANDER	Approved by - date S.MATTHEWS	Filename GM	Date 14/05/08	Scale N/A
<b>BRIGADE ELECTRONICS</b>			<b>AC-301 (#2904)</b>		
			BE-000512-01-08		